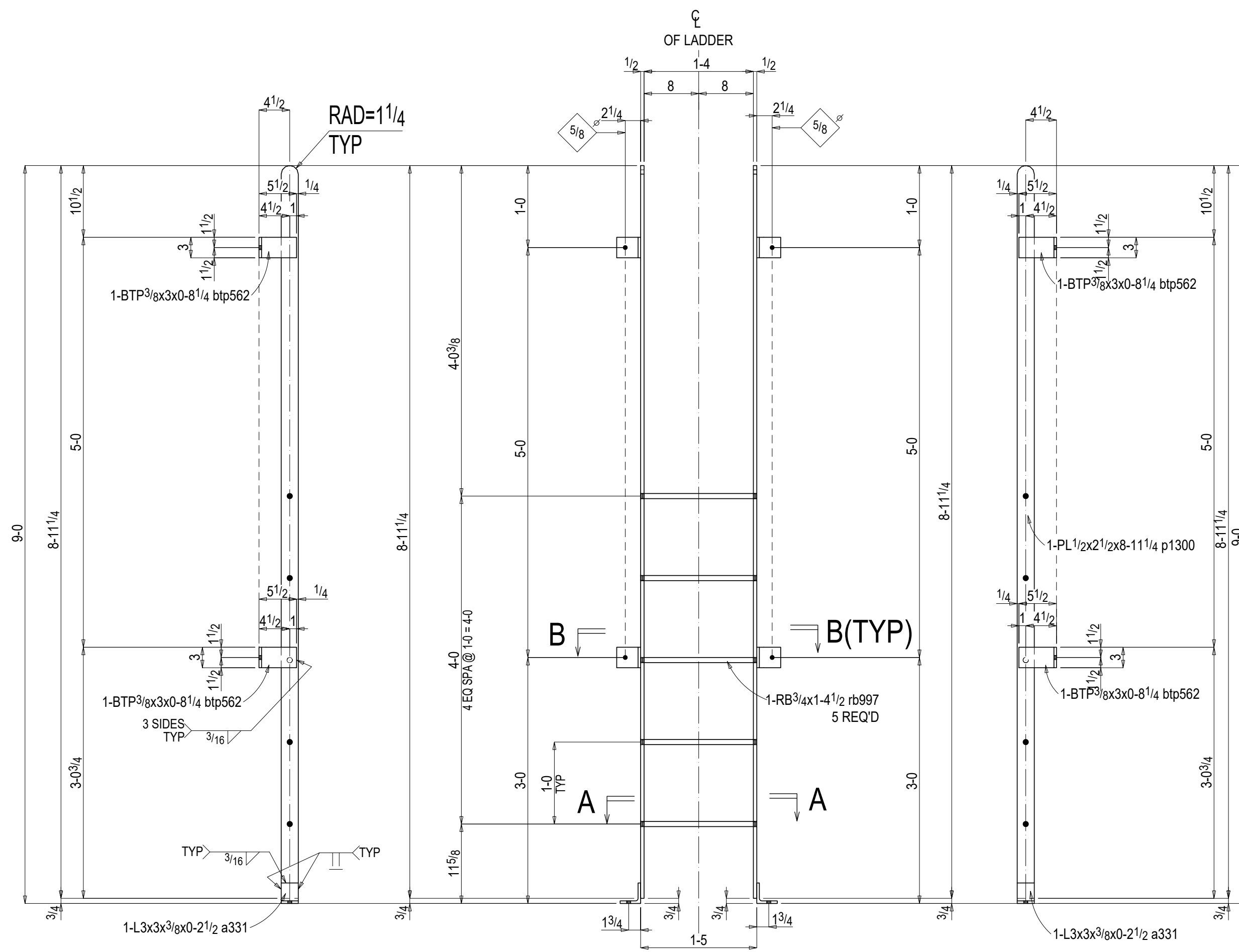
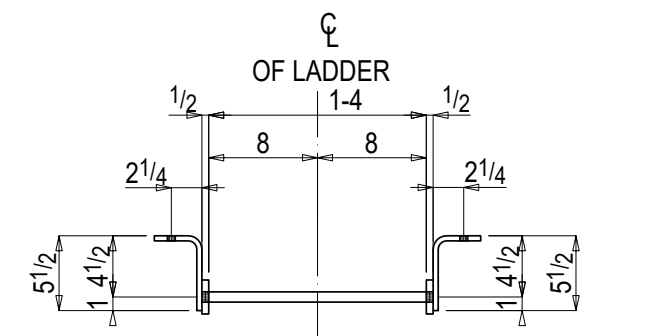
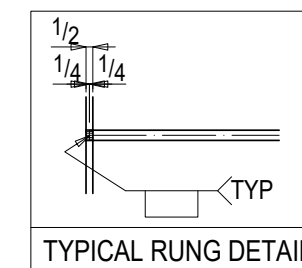


BILL OF MATERIAL

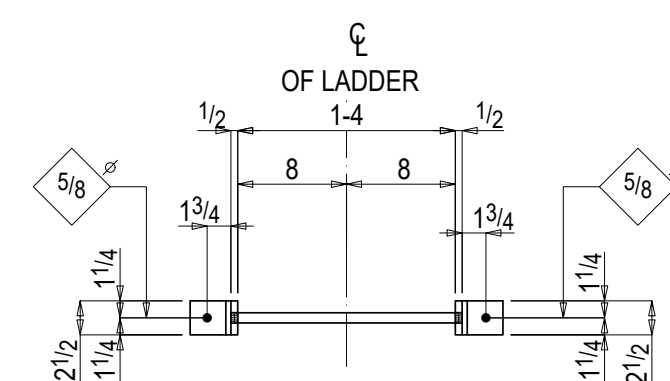
PMK	QTY	DESCRIPTION	LENGTH		FINISH	REMARKS	GRADE	UNIT	TOTAL
			FT	INCH					
2D1	ONE	LADDER						99	99
2D1	1	PL 1/2x2 1/2	8	11 1/4			A36	38	38
a331	2	L3x3x3/8	0	2 1/2			A36	2	3
rb997	5	RB 3/4	1	4 1/2			A36	2	10
p1300	1	PL 1/2x2 1/2	8	11 1/4			A36	38	38
bt562	4	BTP 3/8x3	0	8 1/4		BENT	A36	3	10
FIELD BOLTS									
	2	1/2 Dia HILTI KB1	0	5		EMBEDMENT=3 1/2			
	4	1/2 Dia HILTI HLC	0	3		EMBEDMENT=1 1/2			



ONE LADDER 2D1



Section B-B
2D1



Section A-A
2D1